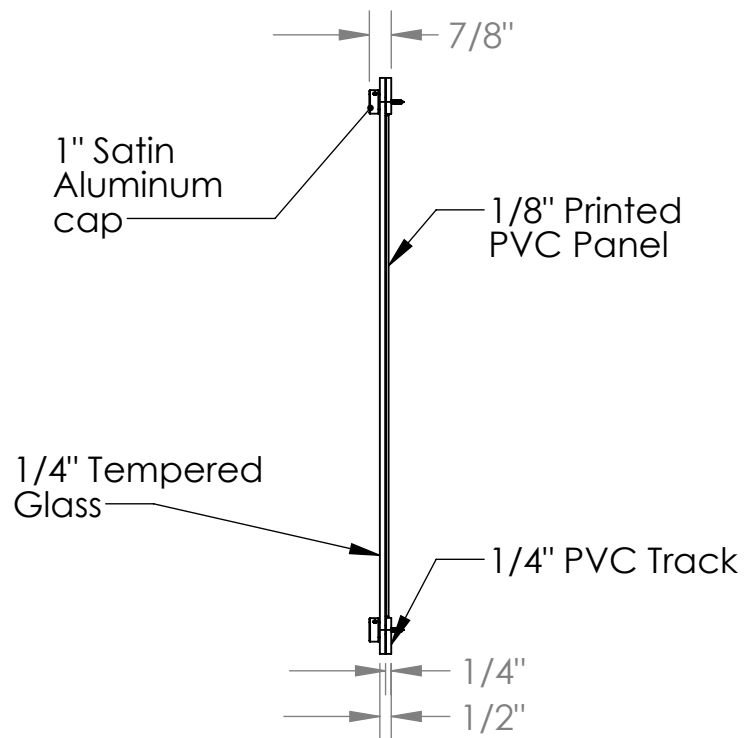
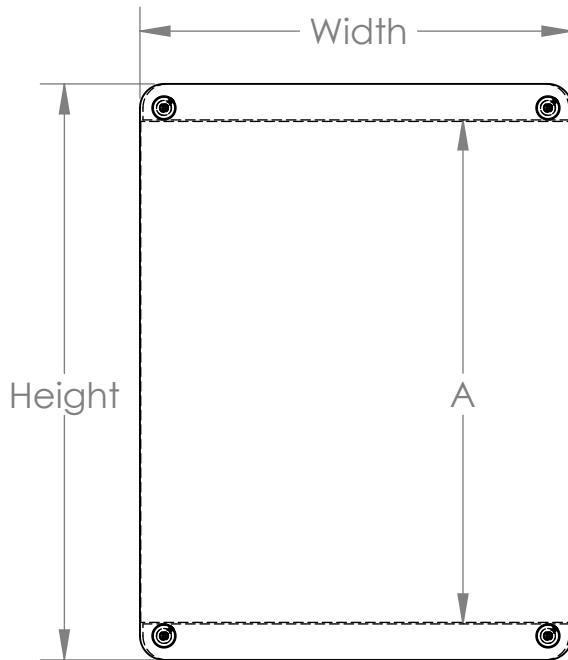


Changeable Glassboard

Product Specifications



Materials:

- 1" satin aluminum stand-off caps
- Writing surface: 1/4" tempered low-iron glass
- Insert: 1/8" printed PVC panel
- Tracks: 1/4" PVC

Features:

- Comes off the wall 1/2" when installed
- VividCore insert slides from right or left
- Insert can be printed single or double-sided
- Non-magnetic surface
- Lifetime surface warranty
- Round corner standard; square corner available upon request

Notes:

- Indoor use only

Specs:

Part	Width	Height	"A"
VBINHMY18-V	18"	24"	20-7/8"
VBINHMY18-H	24"	18"	14-7/8"
VBINHMY1216-V	12"	16"	12-7/8"
VBINHMY1216-H	16"	12"	8-7/8"
VBINHMY2424-H	24"	24"	20-7/8"
VBINHMY2430-V	24"	30"	26-7/8"
VBINHMY2430-H	30"	24"	20-7/8"
VBINHMY23-V	24"	36"	32-7/8"
VBINHMY23-H	36"	24"	20-7/8"